



2021 Catalogue



Guangzhou Video-Tech Electronics Co., Ltd



Effective Solution to Security Needs

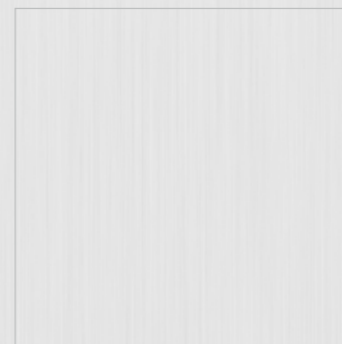
GUANGZHOU VIDEO-TECH ELECTRONICS CO.,LTD

- Founded in 1999
- Specialized in door-entry system
- Unique system with V-TECH characters
- Fully owned leading technology
- Excellent agency system
- High quality products

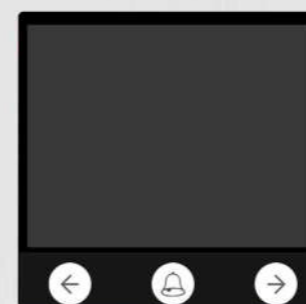
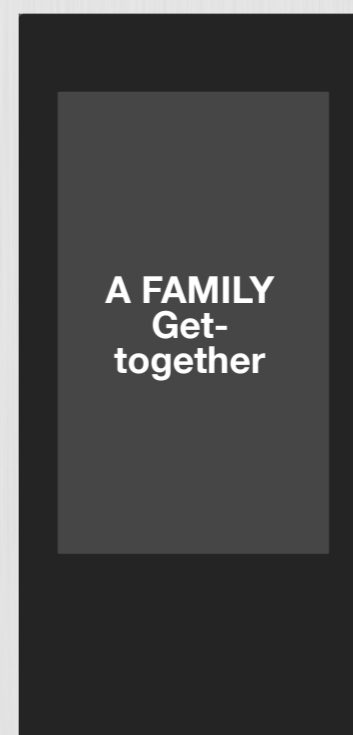


RoHS REACH

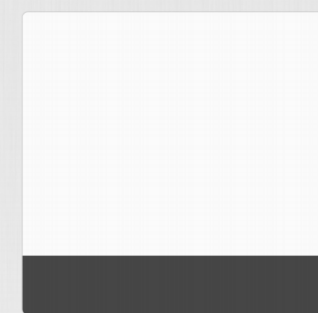
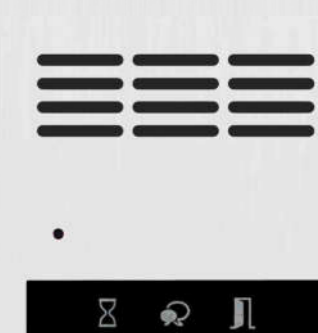
DT821
Modularized



Stainless Steel Cutting
Fingerprint-proof



Logo by
Laser Engrave





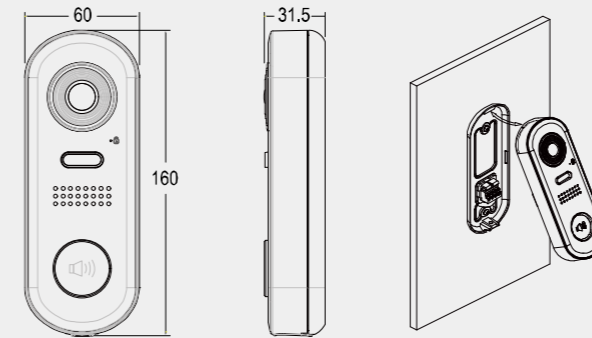
Description

2-wire system villa door station with 105 degree view angle or fisheye camera.

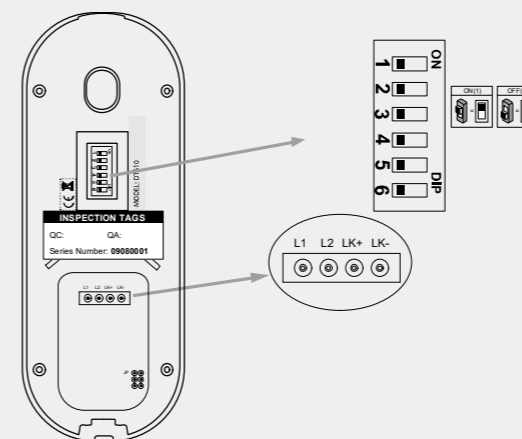
Features

- Aluminum panel
- Two types camera lens choice
- Unlock and talk indicator
- Auto light up sensor
- Surface mounting
- IP54

Dimension and mount



Terminal Description



L1,L2: Connect to the bus line, no polarity.

LK+: Lock power(+) output.

LK-: Lock power(-) output, connect to the power(-) input of locks(only when using the door station to power the locks, if using the external power supply for the locks, the LK- will not be connected).

JP: Lock Control Jumper.

DIP

Bit 1&2: to set door station address, total 4 door stations can be supported. Please refer to door station address setting.

Bit 3&4: to set unlock time for door station. Please refer to unlock time setting.

Bit 5: to set unlock mode for door station (0(OFF):opened/1(ON):closed).

Bit 6: 0(OFF) --> 1(ON), to enter setting mode.

Packing Information

Single Package



Dimensions: 166(H)×103(W)×60(D)mm

Gross Weight: 0.53Kg

DT611 Keypad access

Villa door station, Wall mount



Product Information

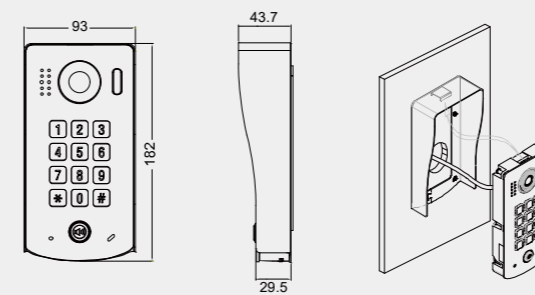
Description

2-wire system villa door station with keypad access and fisheye camera.

Features

- Stainless steel front panel and keys
- Fisheye camera(max.170 degree)
*105 degree view angle is optional
- Unlock and talk indicator
- Auto light up sensor
- Mechanical keypad access
- Voice prompt
- Surface mounting by SS rainy cover
- IP54

Dimension and mount



Packing Information

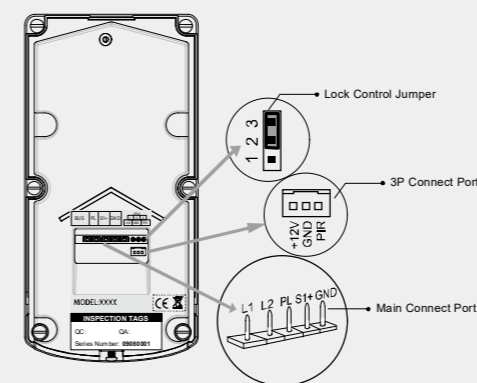
Single Package



Dimensions: 200(H)×100(W)×60(D)mm

Gross Weight: 0.76Kg

Terminal Description



Lock Control Jumper: To select the lock type.

3P Connect Port: 1. If the external key module is detected online, the port will be automatically as a communication port;

2. If above cases are not activated, GND and PIR can be used as exit button port.

A4

1:1

DT611F Keypad access

Villa door station, Flush mount



Product Information

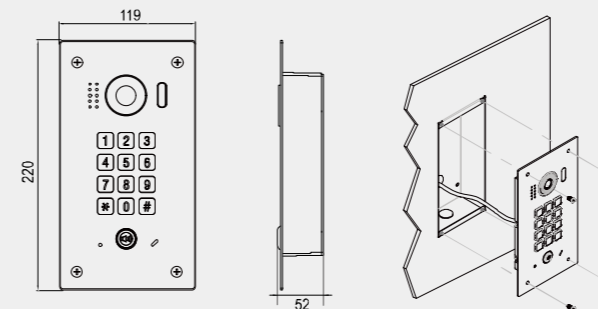
Description

2-wire system villa door station with keypad access and fisheye camera.

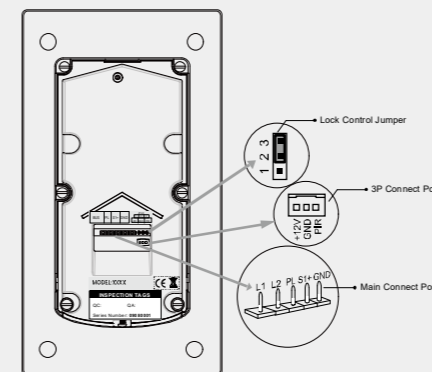
Features

- Stainless steel front panel and keys
- Fisheye camera(max.170 degree)
*105 degree view angle is optional
- Unlock and talk indicator
- Auto light up sensor
- Mechanical keypad access
- Voice prompt
- Flush mounting by SS rainy cover
- IP54

Dimension and mount



Terminal Description



Lock Control Jumper: To select the lock type.

3P Connect Port: 1. If the external key module is detected online, the port will be automatically as a communication port;

2. If above cases are not activated, GND and PIR can be used as exit button port.

Main Connect Port: To connect the bus line and the electronic locks.

L1,L2: Connect to the bus line, no polarity.

PL: External lock power input, connect to the power positive(power +).

S1+,GND: Lock power connection port.

Packing Information

Single Package



Dimensions: 225(H)×140(W)×63(D)mm

Gross Weight: 1.15Kg

DT611 Touchkey Access

Villa door station, Wall mount



Product Information

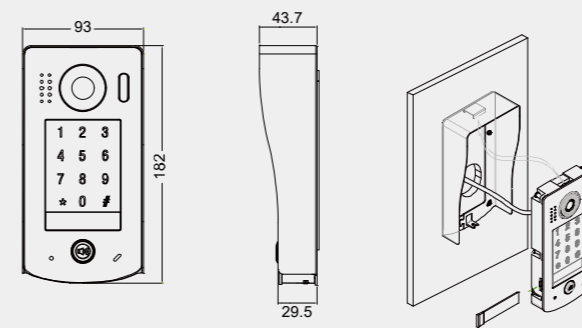
Description

2-wire system villa door station with touch keypad access and fisheye camera.

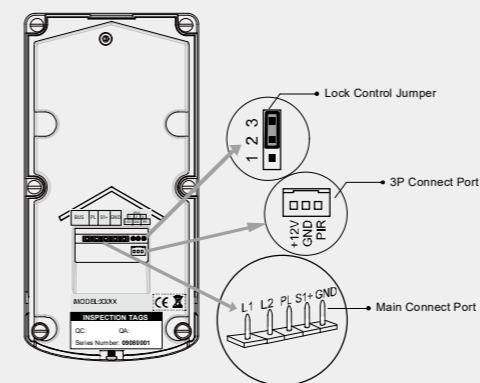
Features

- Stainless steel front panel
- Fisheye camera(max.170 degree)
*105 degree view angle is optional
- Unlock and talk indicator
- Auto light up sensor
- Nameplate with backlit
- Touch keypad access with blue backlit
- Voice prompt
- Surface mounting by SS rainy cover
- IP54

Dimension and mount



Terminal Description



Lock Control Jumper: To select the lock type.
3P Connect Port: 1. If the external key module is detected online, the port will be automatically as a communication port;

2. If above cases are not activated, GND and PIR can be used as exit button port.

Main Connect Port: To connect the bus line and the electronic locks.

L1,L2: Connect to the bus line, no polarity.

PL: External lock power input, connect to the power positive(power +).

S1+,GND: Lock power connection port.

Packing Information

Single Package

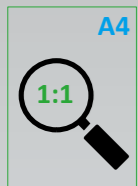


Dimensions: 200(H)×100(W)×60(D)mm

Gross Weight: 0.76Kg

DT611F Touchkey Access

Villa door station, Flush mount



Product Information

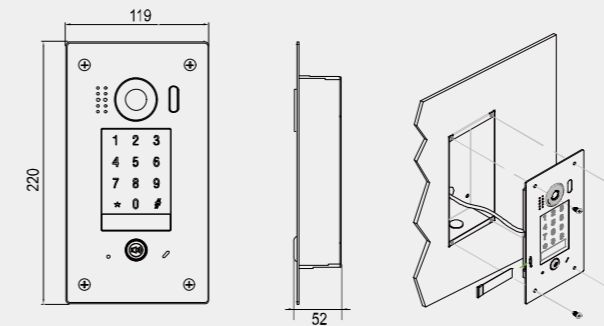
Description

2-wire system villa door station with touch keypad access and fisheye camera.

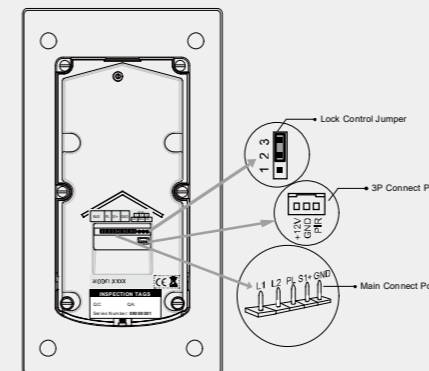
Features

- Stainless steel front panel
- Fisheye camera(max.170 degree)
*105 degree view angle is optional
- Unlock and talk indicator
- Auto light up sensor
- Nameplate with backlit
- Touch keypad access with blue backlit
- Voice prompt
- Flush mounting by SS rainy cover
- IP54

Dimension and mount



Terminal Description



Lock Control Jumper: To select the lock type.

3P Connect Port: 1. If the external key module is detected online, the port will be automatically as a communication port;
2. If above cases are not activated, GND and PIR can be used as exit button port.

Main Connect Port: To connect the bus line and the electronic locks.

L1,L2: Connect to the bus line, no polarity.

PL: External lock power input, connect to the power positive(power +).

S1+,GND: Lock power connection port.

Packing Information

Single Package



Dimensions: 225(H) \times 140(W) \times 63(D)mm

Gross Weight: 1.15Kg



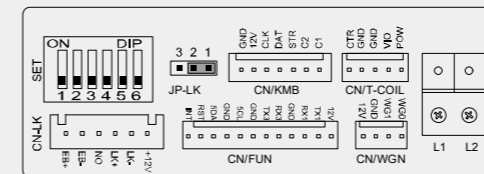
Description

2-wire apartment system color fisheye camera modularity outdoor station.

Features

- Fingerprint-proof SS front panel
- Fisheye lens with Max.170 degree view angle
- Auto sensor LED for night view
- Voice prompt
- PMMA, Dot-Matrix display,
- Card reader, 125KHz & 13.56MHz Dual Standard

Terminal Description



+12V: 12VDC power output.

LK-: Power ground.

LK+: Common contact of the relay.

NO.: normally open contact of the relay(refer to DT technical guide for Lock connection detail informations).

EB+: exit button positive connection port.

EB-: exit button negative connection port.

JP-LK: for electronic lock safety type setting (refer to door lock connections).

SET: DIP switches for system configurations.

CN/KMB: call button module connection port.

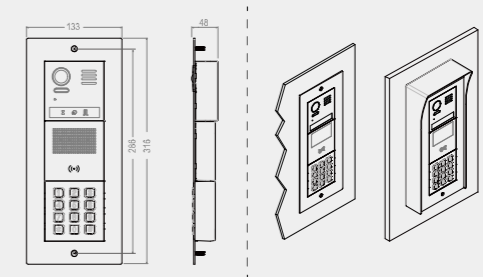
CN/T-COIL: reserved.

CN/FUN: Mechanical keypad module or TFT display module connection port.

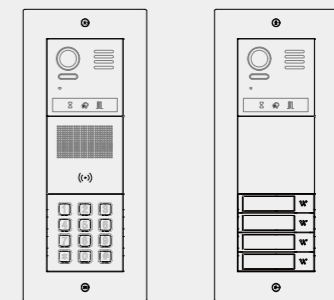
CN/WGN: card reader module connection port.

Bus(L1,L2): non-polarity bus line,connect to PC7 (power comb unit).

Dimension and mount



Standard specification



Packing Information

Single Package



Dimensions: 171(H)X420(W) X98(D) mm

Gross Weight: 1.56Kg



Description

[VD]2-wire system video controller module
 [AD]2-wire system audio controller module

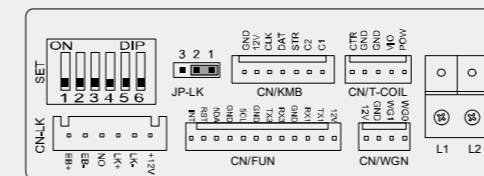
Features

- Fingerprint-proof SS front panel
- Fisheye lens with Max.170 degree view angle
- Talking &unlocking led indication
- Auto sensor LED for night view
- Voice Prompt
- [AD]Full audio controller choice

Dimension



Terminal Description



- +12V:** 12VDC power output.
- LK-:** Power ground.
- LK+:** Common contact of the relay.
- NO.:** normally open contact of the relay(refer to DT technical guide for Lock connection detail informations).
- EB+:** exit button positive connection port.
- EB-:** exit button negative connection port.
- JP-LK:** for electronic lock safety type setting (refer to door lock connections).

- SET:** DIP switches for system configurations.
- CN/KMB:** call button module connection port.
- CN/T-COIL:** reserved.
- CN/FUN:** Mechanical keypad module or TFT display module connection port.
- CN/WGN:** card reader module connection port.
- Bus(L1,L2):** non-polarity bus line,connect to PC7 (power comb unit).

Packing Information

Single Package

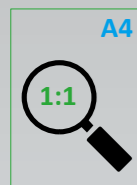
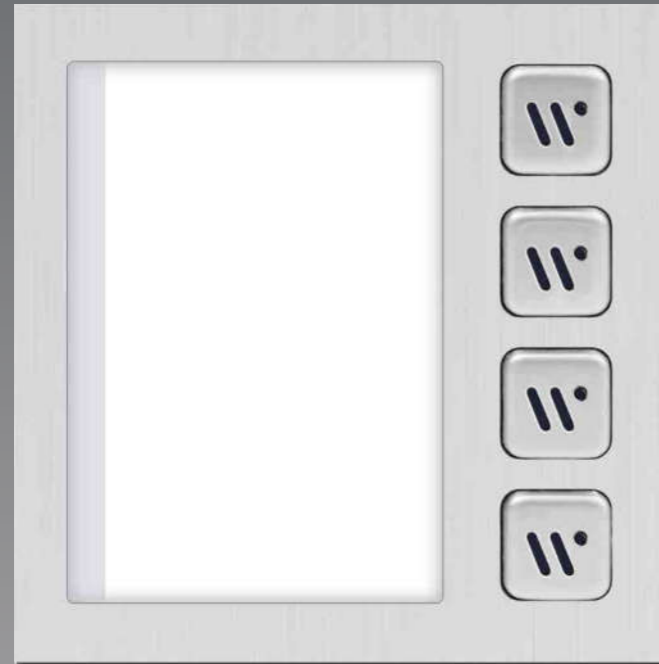


Dimensions: 110(H) x 110(W) x 55(D)mm

Gross Weight: [VD]0,3Kg

[AD]0,3Kg





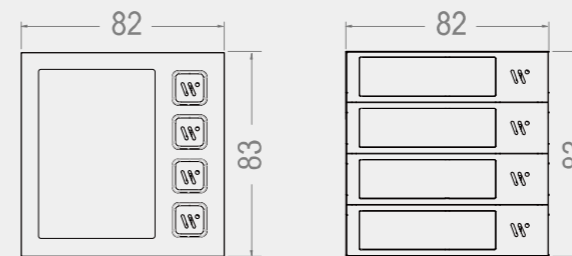
Description

[M4]Call module with 4 physical push buttons
 [S4]Call module with 4 touch sensor buttons

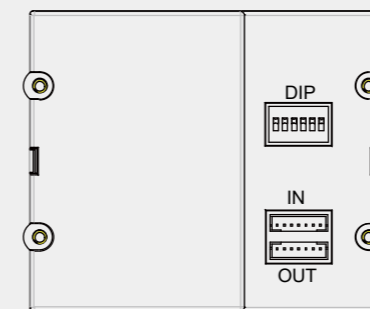
Features

- [M4]Fingerprint-proof SS front panel
- [M4]Mechanical SS push button
- [S4]Aluminum button frame
- [S4]Touch button by light sensor
- [S4]Single button frame is replaceable
- [M4 & S4]Name plate with backlit
- [M4 & S4]1~4 button module for chose

Dimension



Terminal Description



DIP: S4 Module address settings.
IN: Connect to main or last module.
OUT: Connect to next module.

Packing Information

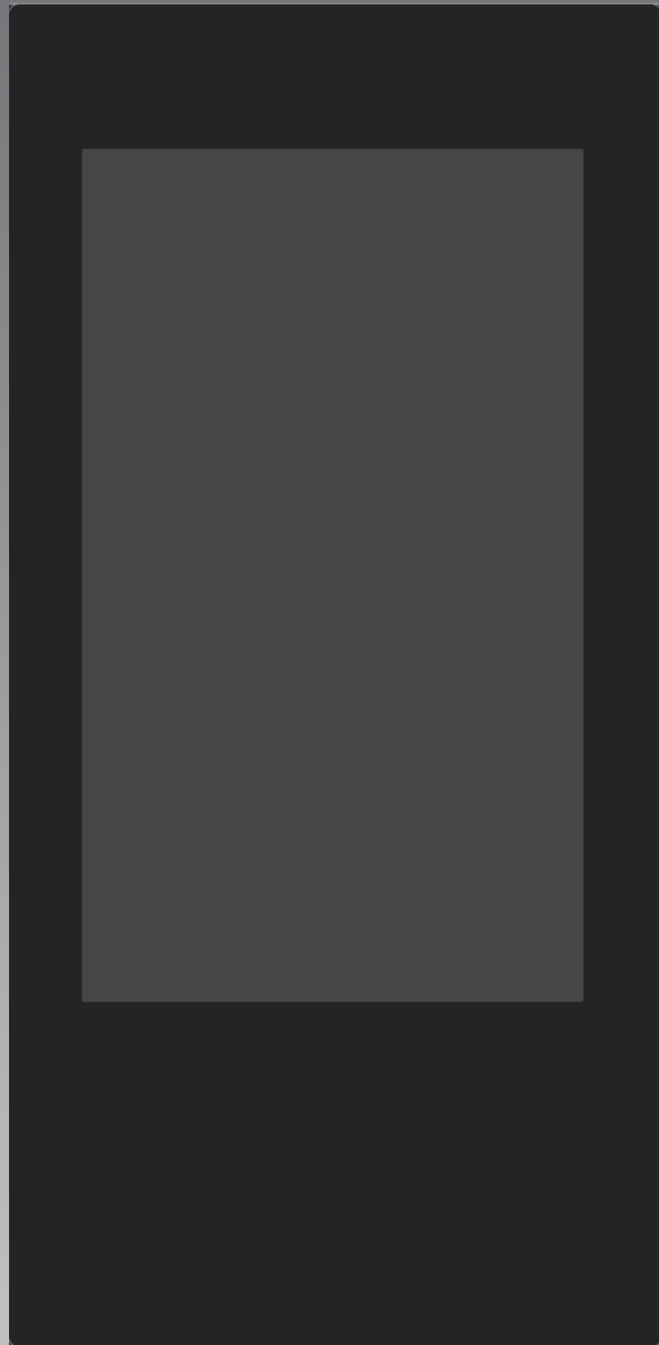
Single Package



Dimensions: 110(H) x 110(W) x 55(D)mm

Gross Weight: [M4]0.35Kg

[S4]0.3Kg



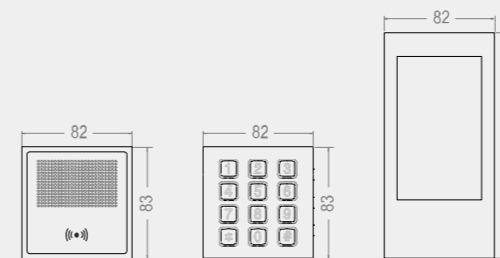
Description

[T5]2-wire system 5 inch touch operation module
 [DR]Dot-Matrix display Module
 [MK]Mechanical Keypad Module

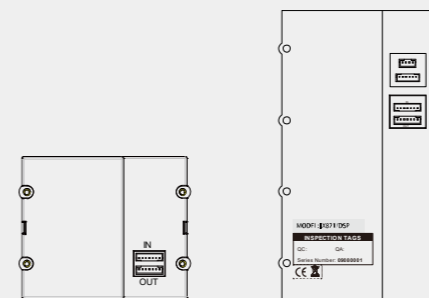
Features

- [T5] Full glass front panel
- [T5]5" TFT display with touch screen operation
- [T5]Call & code unlock & Card unlock integrations
- [T5]RFID reader with 125KHz & 13.56MHz Dual Standard
- [T5]2 Modules-size design
- [DR]PMMA panel
- [DR]Dot-Matrix display[DR]
- [DR]RFID reader with 125KHz & 13.56MHz Dual standard
- [DR]Max.320 cards management
- [MK]Fingerprint-proof SS front panel
- [MK]Mechanical keypad for code unlock & room number calling

Dimension



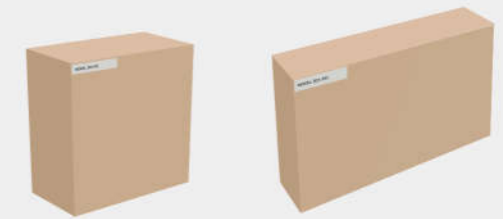
Terminal Description



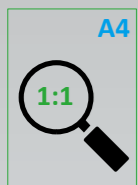
IN: Connect to main or last module.
OUT: Connect to next module.

Packing Information

Single Package



Dimensions: [T5]225(H) x140(W) x 63(D)mm
 [DR/MK]110(H) x110(W) x 55(D)mm
 Gross Weight: [T5]0.45Kg
 [DR]0.3Kg
 [MK]0.4Kg





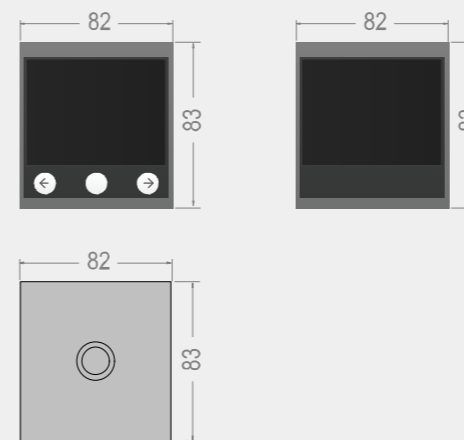
Description

[TFT]3.5 inch display module
[LB]Information Board module with backlit
[FP]Fingerprint module for unlock access

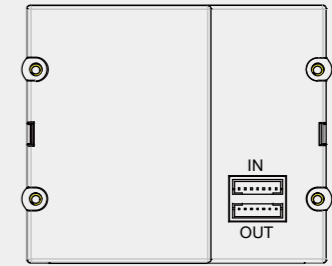
Features

- [FP]Fingerprint-proof SS front panel
- [FP]Fingerprint unlock
- [FP]Semiconductor sensor
- [FP]Max. 200 Fingerprint management
- [LB]Fingerprint-proof SS front panel
- [LB]Label information with backlit
- [TFT]Fingerprint-proof SS front panel
- [TFT]3.5" TFT display
- [TFT]Navigation sensor button

Dimension and mount



Terminal Description



IN: Connect to main or last module.
OUT: Connect to next module.

Packing Information

Single Package

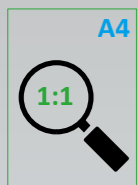


Dimensions: 110(H) x 110(W) x 55(D)mm

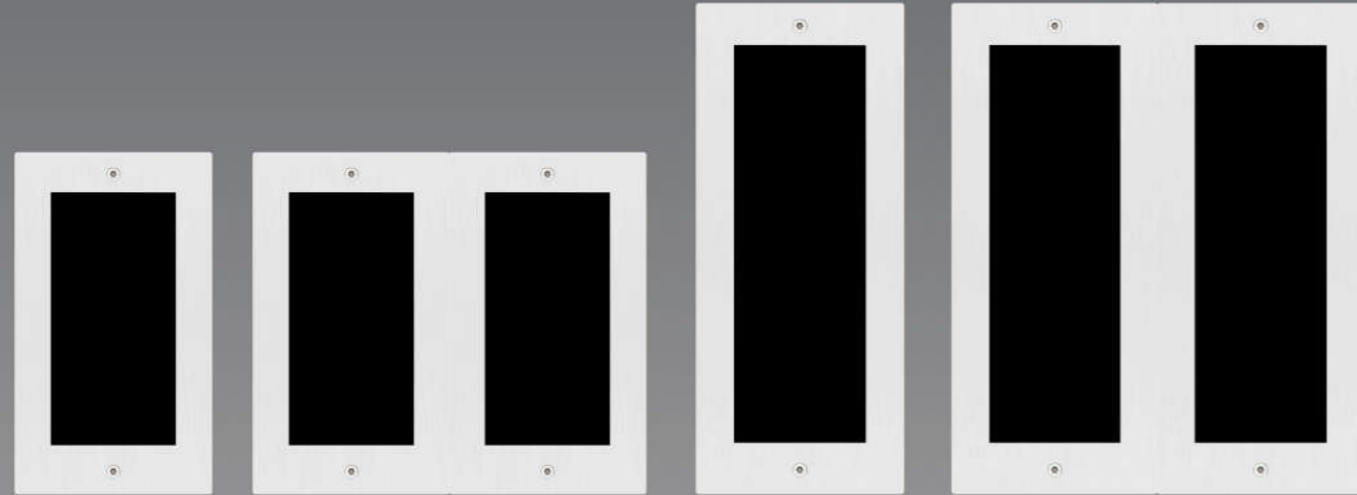
Gross Weight: [TFT]0.3Kg

[LB]0.26Kg

[FP]0.35Kg



Front panel with flush mounting box



Surface mounting box with rainy cover



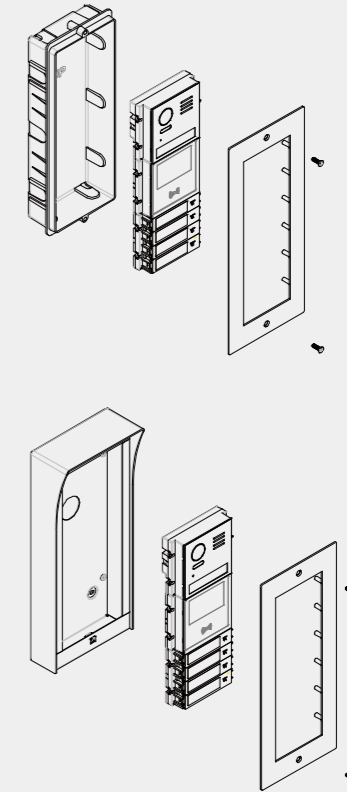
Description

2/3/4/6 module-combination frame and rainy cover for flush and surface mounting

Features

- Surface mount
- Zinc alloy rainy cover box
- Fingerprint-proof SS front panel
- Flush mount
- Fingerprint-proof SS front panel

Flush mount and Surface mount



Modules	Config	Surface(mm)	Flush box(mm)	Front panel(mm)	Single package(mm)
2	2x1-S	235(H)x138(W)x66(D)		232(H) x133(W)x2(D)	143(H) x282(W)x76(D)
3	3x1-S	319(H)x138(W)x66(D)		316(H) x133(W)x2(D)	143(H) x282(W)x76(D)
4	2x2-S	235(H)x261(W)x66(D)		232(H) x256(W)x2(D)	274(H) x331(W)x81(D)
6	3x2-S	319(H) x261(W)x66(D)		316(H) x256(W)x2(D)	274(H) x331(W)x81(D)
2	2x1-F		231(H)x133(W)x40(D)	232(H) x133(W)x2(D)	143(H) x282(W)x76(D)
3	3x1-F		316(H) x133(W)x40(D)	316(H) x133(W)x2(D)	143(H) x282(W)x76(D)
4	2x2-F		231(H)x256(W)x40(D)	232(H) x256(W)x2(D)	274(H) x331(W)x81(D)
6	3x2-F		316(H) x256(W)x40(D)	316(H) x256(W)x2(D)	274(H) x331(W)x81(D)



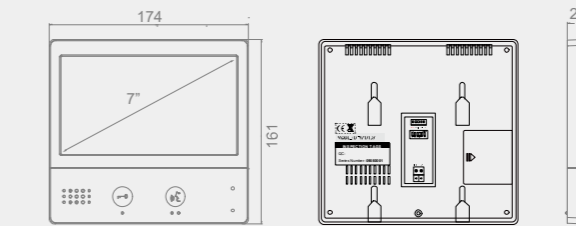
Description

2-wire system 7" TFT monitor with touch screen.

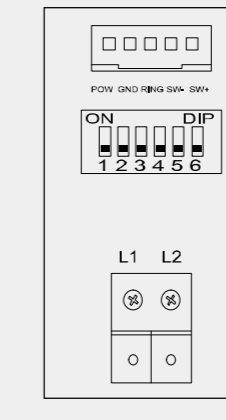
Features

- 7" TFT touch screen
- Touch screen
- Touch sensor button
- Navigation dot for disable person
- Intercom and inner intercom
- Stair light and 2nd lock control
- Doorbell and ringer connection
- Supports public memory & IPC integration & call transfer function via DT-IPG connection

Dimension



Terminal Description



L1,L2: Bus line terminal.

POW,GND: 12~18V extra power connection port.

Ring,GND: Extra buzzer connection port.

SW+,SW-: Extra door bell connection port.

DIP switches: Total 6 bits can be configured.

Bit1~Bit5: User Code setting switch.

Bit6: Video impedance matching switch.

Packing Information

Single Package



Dimensions: 165(H)×240(W)×39(D)mm

Gross Weight: 0.55Kg



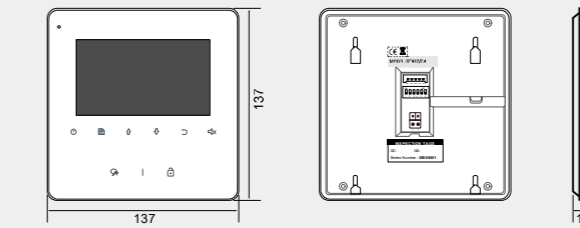
Description

2-wire system 4.3" TFT monitor with touch sensor button.

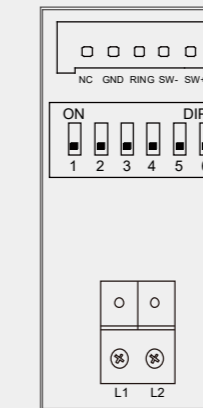
Features

- Touch sensor button
- PMMA front panel
- Intercom and inner intercom
- Stair light and 2nd lock control
- Doorbell and ringer connection
- Multi languages menu
- Supports public memory & IPC integration and call transfer function via DT-IPG connection

Dimension



Terminal Description



L1,L2: Non-polarity bus line.

SW+,SW-: Doorbell call button connection port.

Ring,GND: Extra buzzer connection port.

NG: Reserved.

DIP switches: Total 6 bits can be configured.

Bit1~Bit5: User Code setting switch.

Bit6: Video impedance matching switch.

Packing Information

Single Package



Dimensions: 155(H)×142(W)×28(D)mm

Gross Weight: 0.29Kg



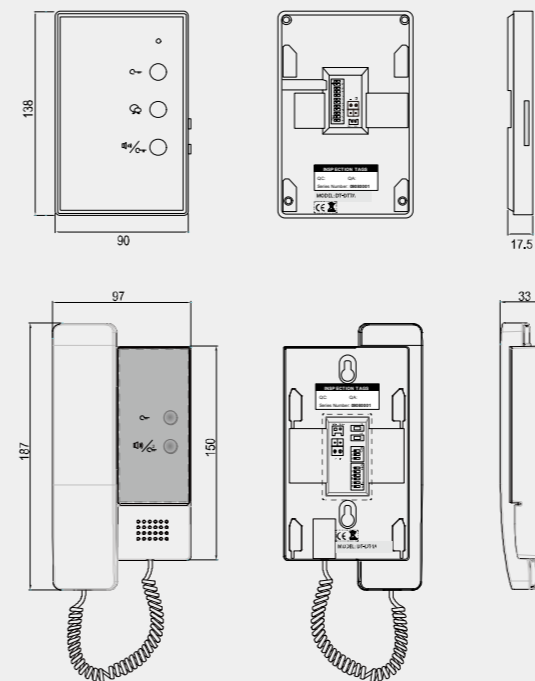
Description

[DJ7A] Hand free audio phone
 [DJ4A] Handset audio phone

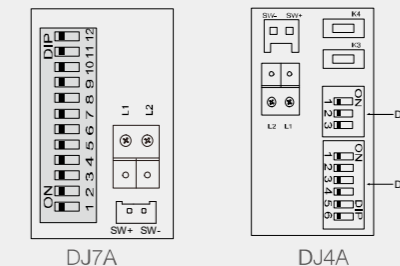
Features

- Hand free or Handset
- Aluminum front panel
- Inner intercom with family members
- Support 2nd lock control via relay actuator
- Doorbell and ringer connection

Dimension



Terminal Description



L1, L2: BUS line terminal.
SW+, SW-: Door bell call button connection port.
DIP:
Bit-1~7: Used to User Code setting or Extended Address setting(Bit-10 set to ON).
Bit-8~9: Used to Slave Monitor Address (Bit-10 set to OFF).
Bit-11: Set to ON if the monitor is at the end of the line;Otherwise, set to OFF.
Bit-12: Reserved.

SW+,SW-:Door bell call button connection port.
L1,L2:Bus terminal.
K4:Used to Ring Tone setting.
K3:Used to Ring Volume setting.
DIP1(Bit1~6):Used to User Code setting.
DIP2(Bit1~3):Used to Slave Monitor Address or Extended Address setting.

Packing Information

Single Package



Dimensions: [DJ7A]95(H)x23(W)x115(D)mm
 [DJ4A]98(H)x60(W)x200(D)mm
 Gross Weight: [DJ7A]0.40Kg
 [DJ4A]0.40Kg

Specifications

Indoor station

- Power Supply : DC 24V;
- Screen: 7/4.3 inch digital color TFT
- Resolutions: 800 X 480 pixels
- Video Signal: 1Vp-p, 75Ω, CCIR standard
- Working temperature: -20°C ~ +55°C;
- Wiring: 2 wires,non-polarity

Outdoor station

- Power Supply : DC 24V;
- Power Consumption: Standby 14mA; Working status 122mA;
- Fish Camera: Color CMOS, 2.0 Mega pixel
1/2.7" fisheye camera,170° wide angle;
- 3089 Camera: Color CMOS, 520TVL , 1/4" camera,105° wide angle.
- Lock Power supply: 12Vdc, 250mA(Internal Power);
- Working temperature: -20°C ~ +55°C;
- Wiring: 2 wires,non-polarity

NOTES

.....

.....

.....

.....

.....

.....

.....

.....

.....

.....

.....

.....

.....

.....

.....

.....

.....

Distributed By
Symetrix Pty Limited trading as Symetrix Data & Security
Unit 29, 1 Wentworth Street, Greenacre NSW 2190
contact: 1300 097 727 or + 61 2 8733 4491
email: sales@symetrix.com.au
web: www.symetrix.com.au

