

1. Introduction:

The IP gateway converter is an essential unit for 2-wire IP hybrid network system, for the purpose of a grouped building system for centralized management.

The features are as follows:

- Max.199 gateway are supported in system
- RJ45 LAN ethernet connection
- IP_NODE_ID setting by DIP switches
- Free of PC configuration in regular use
- Diagnose assistance for convenient maintenance
- Working state indicators(on/off line, activity states etc)

IP_NODE_ID is the critical address in 2-wire IP system, instead of traditional IP address configurations. All IP devices in a network system must be set differently.

DIP switches are for IP_NODE_ID address setting by manual, range is limited from 01 to 63. For larger system with more than 63 gateway units, set the DIP switchers to 00, and then use configuration software to set IP_NODE_ID from 64 to 199.

Unless modified by means of configuration software, DT-IPG use default IP address settings as:

IP segment: 192.168.243

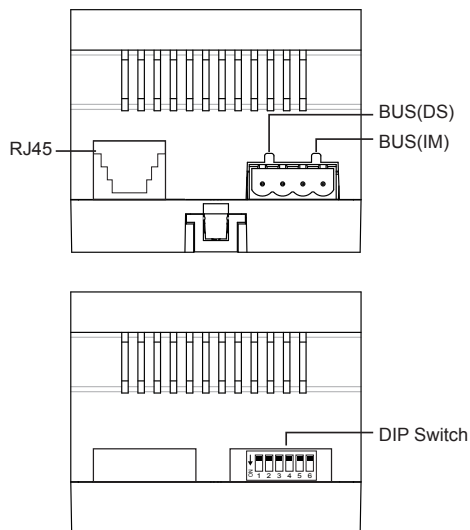
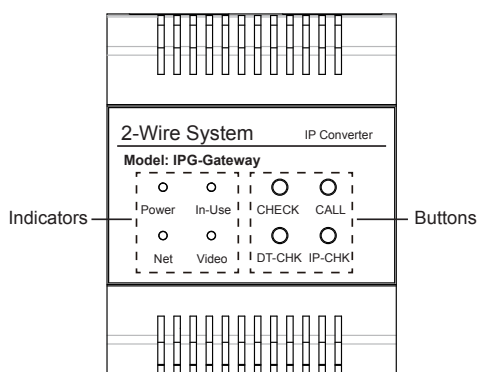
IP subnet mask: 255.255.255.0

Gateway: 192.168.243.200

IP_NODE_ID will be the IP address last segment number, for example:

If a DT-IPG DIP switches are set to IP_NODE_ID=12, this DT-IPG IP address will be 192.168.243.12.

2. Terminal Description:



Connection Port

RJ45: Network connection terminal.

BUS(IM): Indoor monitor connection terminal.

BUS(DS): Door station connection terminal.

Indicators

The system status can be indicated by LED. Please refer to the followings in detail.

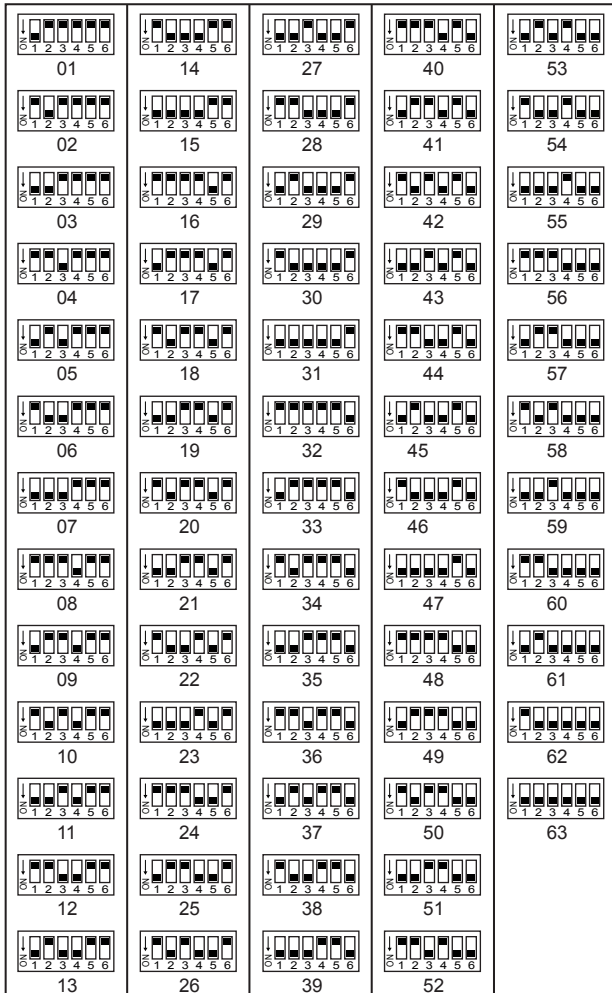
LED Status	Power	In-use	Net	Video
OFF	Power OFF	Idle	No Ethernet	VD_Idle
ON	Power ON	Talking	Ethernet OK	Network Video Server
Fast Flashing	Device ERR	OUT-CALL Caller	—	VD_C&S
Normal Flashing	Boot Kernal	IN-CALL Becalled	—	Network Video Client
Short irregular Flashing	Boot-app	CALL Busy	—	—
Long irregular Flashing	FW update	—	—	—

Buttons

Status Buttons	One Press	Long Press
CHECK	TIP/RING	Download namelist to DS&CDS
CALL	Enforce call	Download namelist to monitor
DT-CHK	Online check for 2-wire system devices	Restore factory setting
IP-CHK	Online check for IP network devices	Check IP Check network quality Check source download

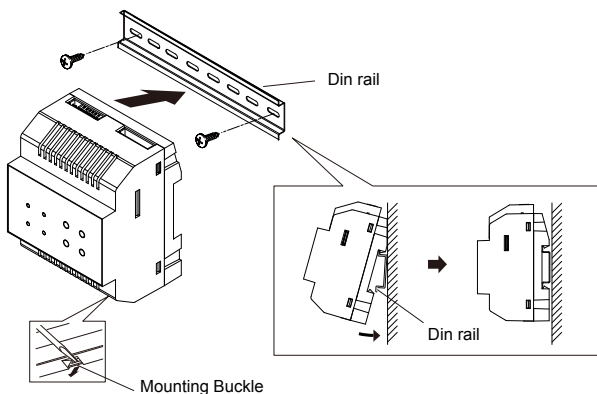
DIP Setting

DIP setting is for IP address setting, range is 01~63. Please refer to the followings in detail.

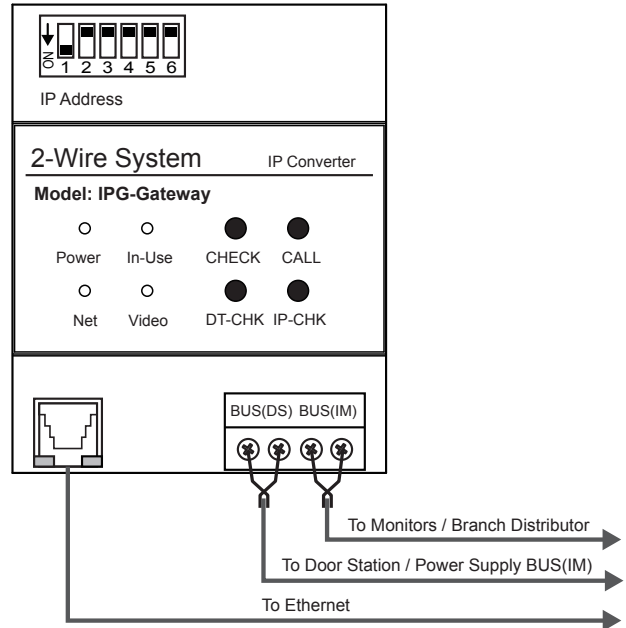


3. Mounting:

Step1: Mount the din rail to the wall with screws;
 Step2: Pull down the mounting buckle, then hang the unit on din rail.



4. Wiring:



5. Specification:

Power: 2-wire bus (26V, no-polarity)
 Consumption current: Standby 70mA, maximum 190mA
 LAN Ethernet: 10BASE-T, 100BASE-TX
 Audio codec: G.711(64Kbps)
 Video codec : H.264/AVC (VGA, QVGA)
 Network Protocol: IPv4, TCP, UDP, RTSP, RTP, RTCP, IGMP, DHCP, NTP
 Operating temperature: 0 °C ~ +40 °C
 Dimension: 72*90*60mm

6. Warning:

- The unit can only be used in 2-wire products supplied by our company.
- Don't connect the unit with any non-specified power source. Fire or electric shock could result.
- Don't dismantle or alter the unit. Fire or electric shock could result.
- The unit must be installed and wired by a qualified technician.
- Keep the unit away from water or any other liquid. Fire or electric shock could result.