

DT ACCESSORIES PC6
2-wire system 24V Power comb
with Din-rail

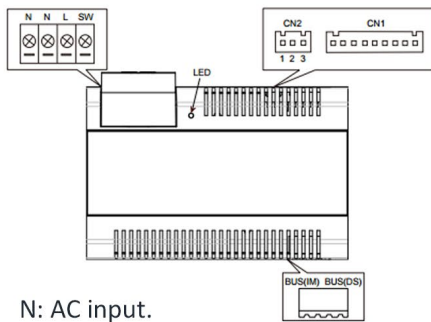
SPECIFICATION

Input Voltage: 100~240Vac
Input Frequency: 50~60Hz
Rated Output Voltage: DC 28V+2V
Rated Output Current: 1.5A
Working Temperature: -100C~500C
SW Port Input Voltage: Max.230Vac, 2A
Dimension: 140*90*60mm

FEATURES

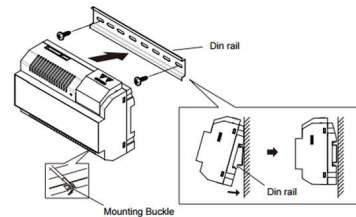
Power comb unit for DT system;
Universal AC input/full range;
Short circuit, overload and over
voltage protections;
Din-rail mounting; DC28V 1.5A
output

PARTS AND FUNCTIONS



- N: AC input.
- L: AC input.
- SW: switch terminal. It can extend to connect light or lock.
- LED: power indicator, always on when plug in power.
- CN2: normal power comb or auxiliary power comb selection terminal. Please refer to part 4.
- CN1: bus control terminal.
- BUS(IM): indoor monitor connection terminal.
- BUS(DS): door station connection terminal.

UNIT MOUNTING



Step1: Mount the din rail to the wall with screws ;

Step2: Pull down the mounting buckle, then hang the unit on din rail.

ORDERING INFORMATION

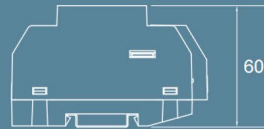
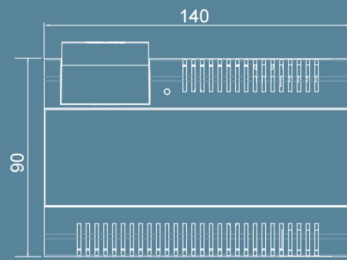
Model No.	Brief Description	Remark
PC6-24V(DIN)	24V Power supply	Din-rail mounting



PACKING INFORMATION

Dimensions:
153(H) X148(W) X68(D) mm
Gross Weight: 0.4Kg

Carton: 495(H) X403(W) X310(D) mm
Quantity: 30PCS



DT ACCESSORIES PC6

2-wire system 24V Power comb with Din-rail

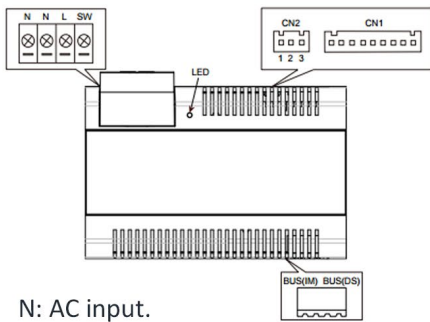
SPECIFICATION

Input Voltage: 100~240Vac
 Input Frequency: 50~60Hz
 Rated Output Voltage: DC 28V+2V
 Rated Output Current: 1.5A
 Working Temperature: -100C~500C
 SW Port Input Voltage: Max.230Vac, 2A
 Dimension: 140*90*60mm

FEATURES

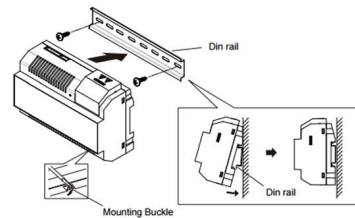
Power comb unit for DT system;
 Universal AC input/full range;
 Short circuit, overload and over voltage protections;
 Din-rail mounting; DC28V 1.5A output

PARTS AND FUNCTIONS



- N: AC input.
- L: AC input.
- SW: switch terminal. It can extend to connect light or lock.
- LED: power indicator, always on when plug in power.
- CN2: normal power comb or auxiliary power comb selection terminal. Please refer to part 4.
- CN1: bus control terminal.
- BUS(IM): indoor monitor connection terminal.
- BUS(DS): door station connection terminal.

UNIT MOUNTING



Step1: Mount the din rail to the wall with screws ;

Step2: Pull down the mounting buckle, then hang the unit on din rail.

ORDERING INFORMATION

Model No.	Brief Description	Remark
PC6-24V(DIN)	24V Power supply	Din-rail mounting



PACKING INFORMATION

Dimensions:
 153(H) X148(W) X68(D) mm
 Gross Weight: 0.4Kg

Carton: 495(H) X403(W) X310(D) mm
 Quantity: 30PCS