

**NUOVO SERIES 2015 2-WIRE INDOOR MONITOR**  
2-wire system 7 inch Digital Color TFT Monitor with touch screen and picture/video memory.



## FEATURES

- Built-in picture/video memory;
- Calling/monitoring's string display/setting;
- Name list edition by built in keypad;
- Broadcasting;
- Call diverting via TPS/GSM;
- Call recording management;
- Compatible with all DT outdoor & Indoor stations ;
- 1 Multi-languages & Icon customized.



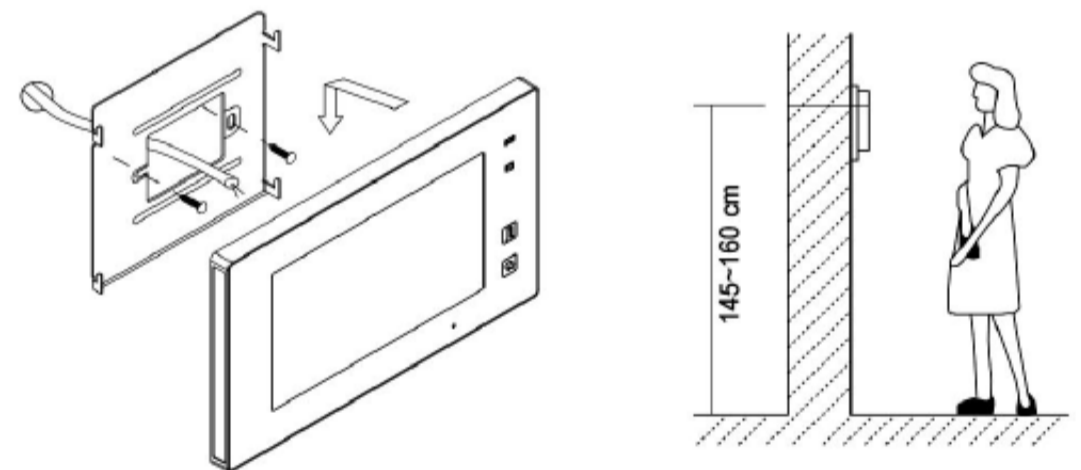
## SPECIFICATION

- Power supply for indoor monitor: DC 20~28V
- Power consumption: Standby 12.4mA; Working 270mA
- Monitor screen: 7 Inch digital color TFT
- Display Resolutions: 800\*3(R, G, B) x 480 pixels
- Video signal: 1Vp-p, 75Ω, CCIR standard
- Wiring: 2 wires, non-polarity
- Dimension: 131(H)×225(W)×18(D)mm

## PACKING INFORMATION

LCD screen	Display the visitors' image
Emergency button	Used for sending SOS to registered mobile phone via DT-GSM modular
Message indicator	It will be lighted up if there is unread message
Unlock button	Press to release the door
Talk/Mon button	Press to communicate hands free with visitor Press to view the outdoor condition in standby mode
Microphone	Receive voice from the user
Mounting hook	Use to hang up the monitor
Connection port	Bus terminal
Speaker	Send out voice from the visitor

## MONITOR MOUNTING



## ORDERING INFORMATION FOR MONITOR



**DT37M**

1. Use the screws to fix the Mounting Bracket on the mounting box.(fitting accesories includes a Bracket (Two pieces of 4X25 screws are needed to fasten the Mounting Bracket), Special 2 wire connectors to connect with Monitor)
2. Wire the system correctly(refer to connection chapter) then hang the Monitor on the Mounting Bracket firmly.